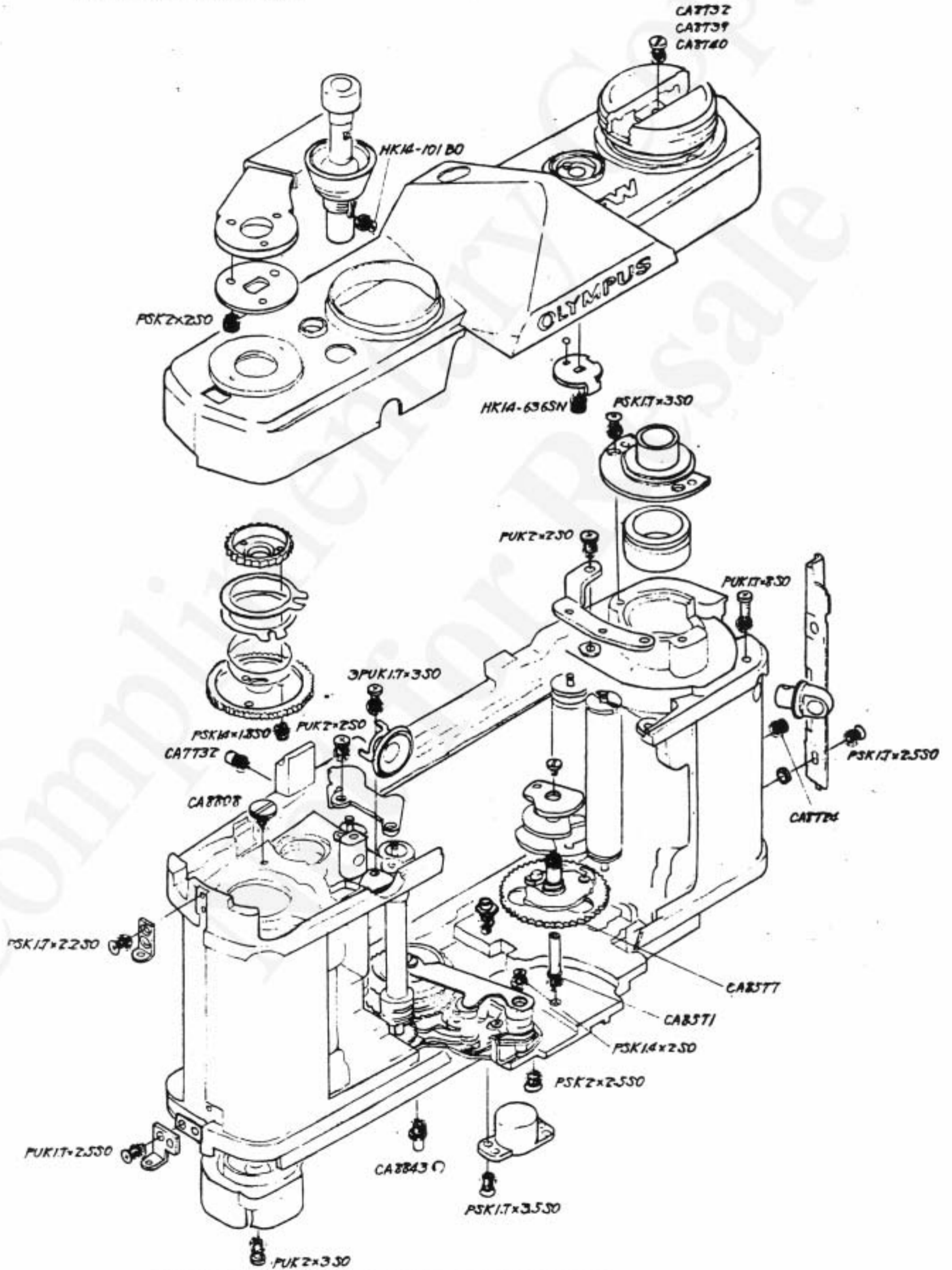


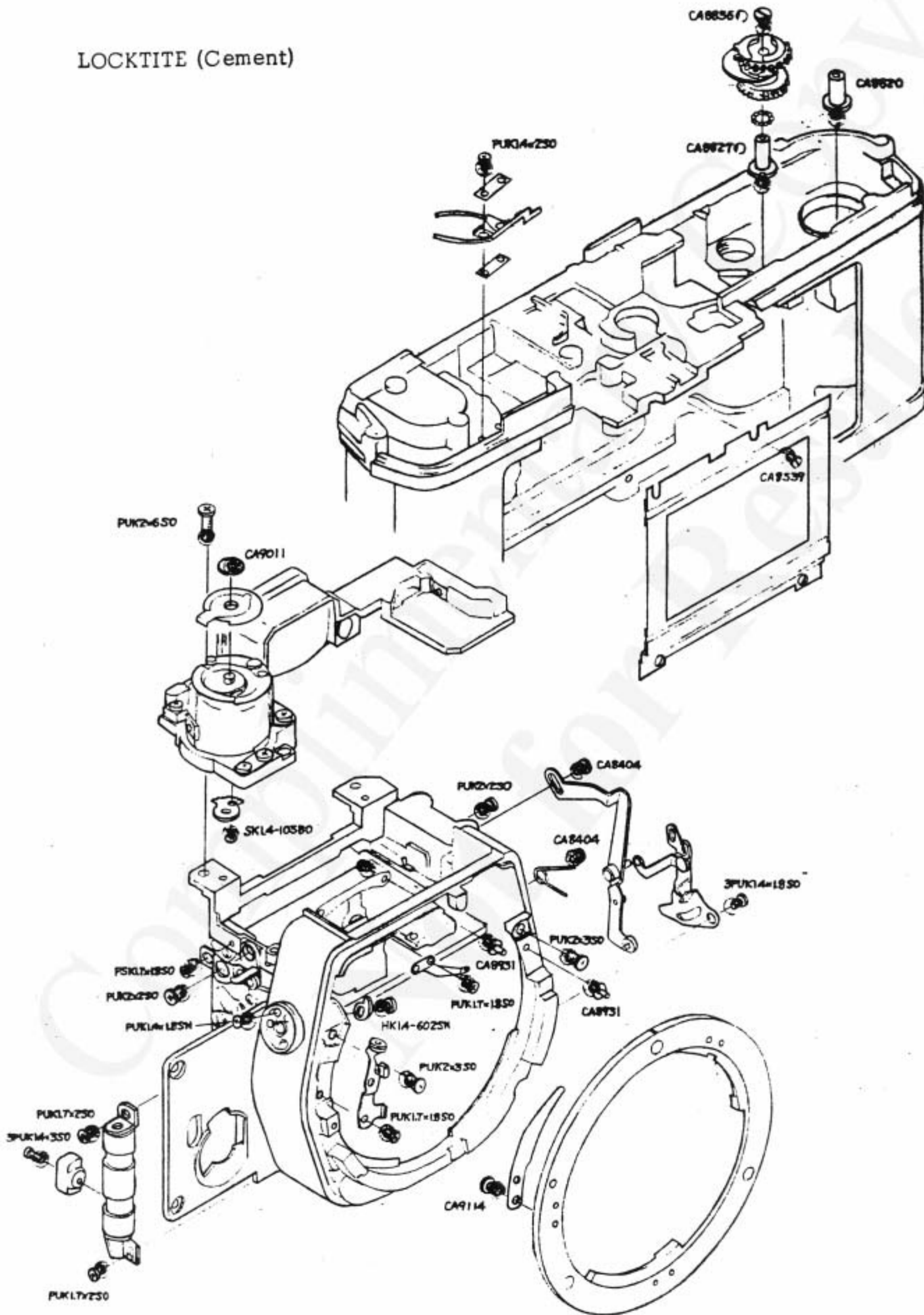


PARTS WHERE OIL, GREASE, ETC.
SHALL BE USED

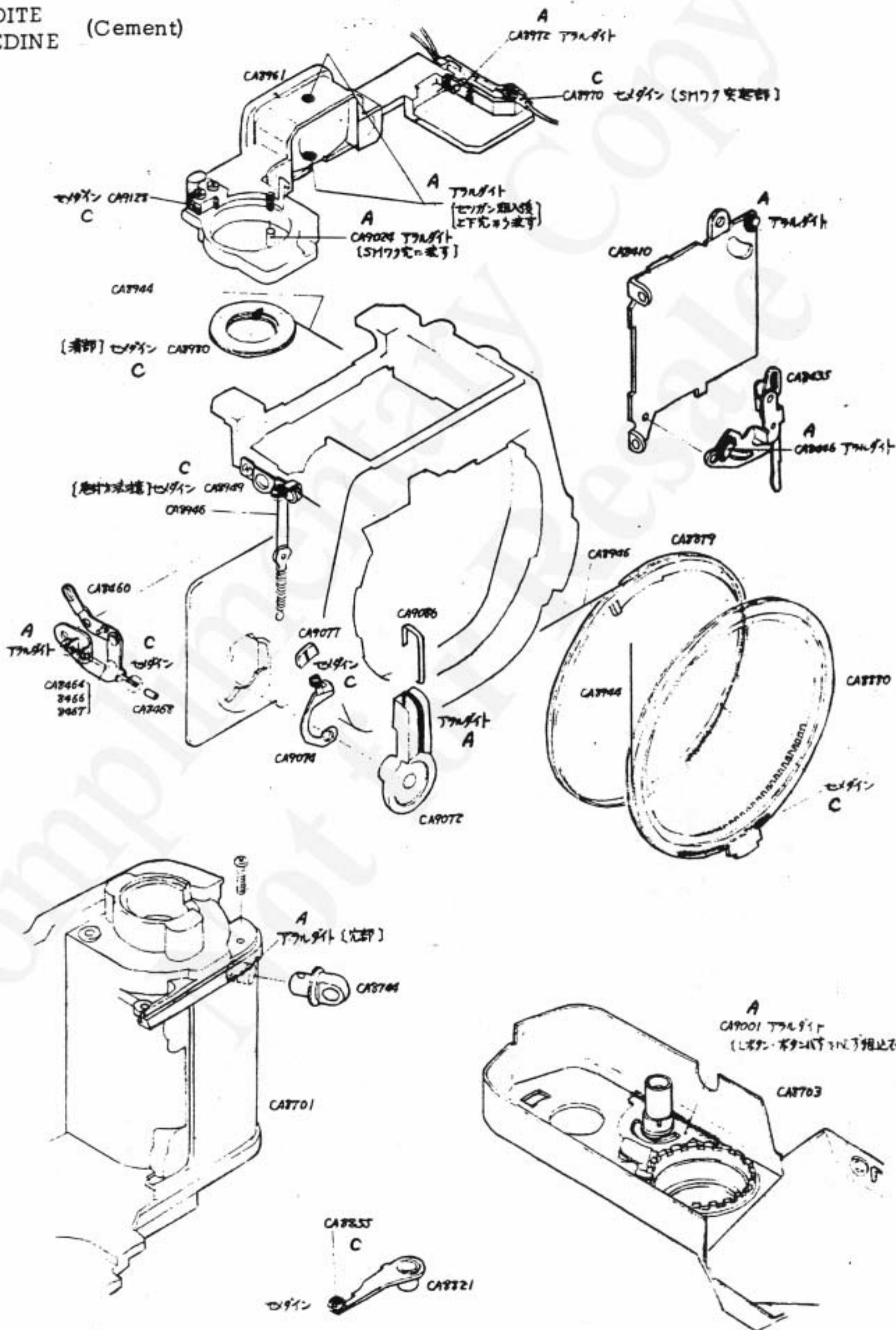
LOCKTITE (Cement)



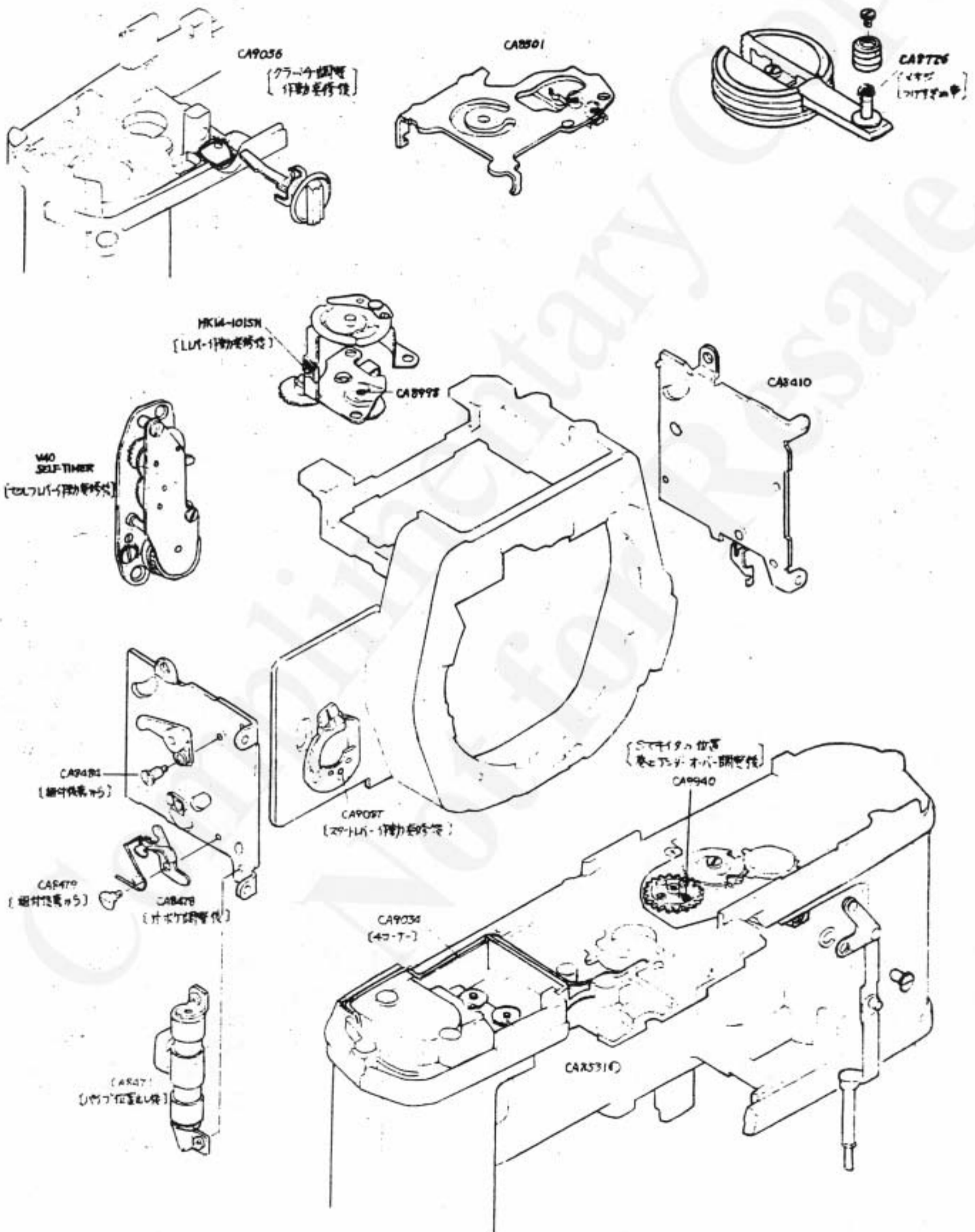
LOCKTITE (Cement)



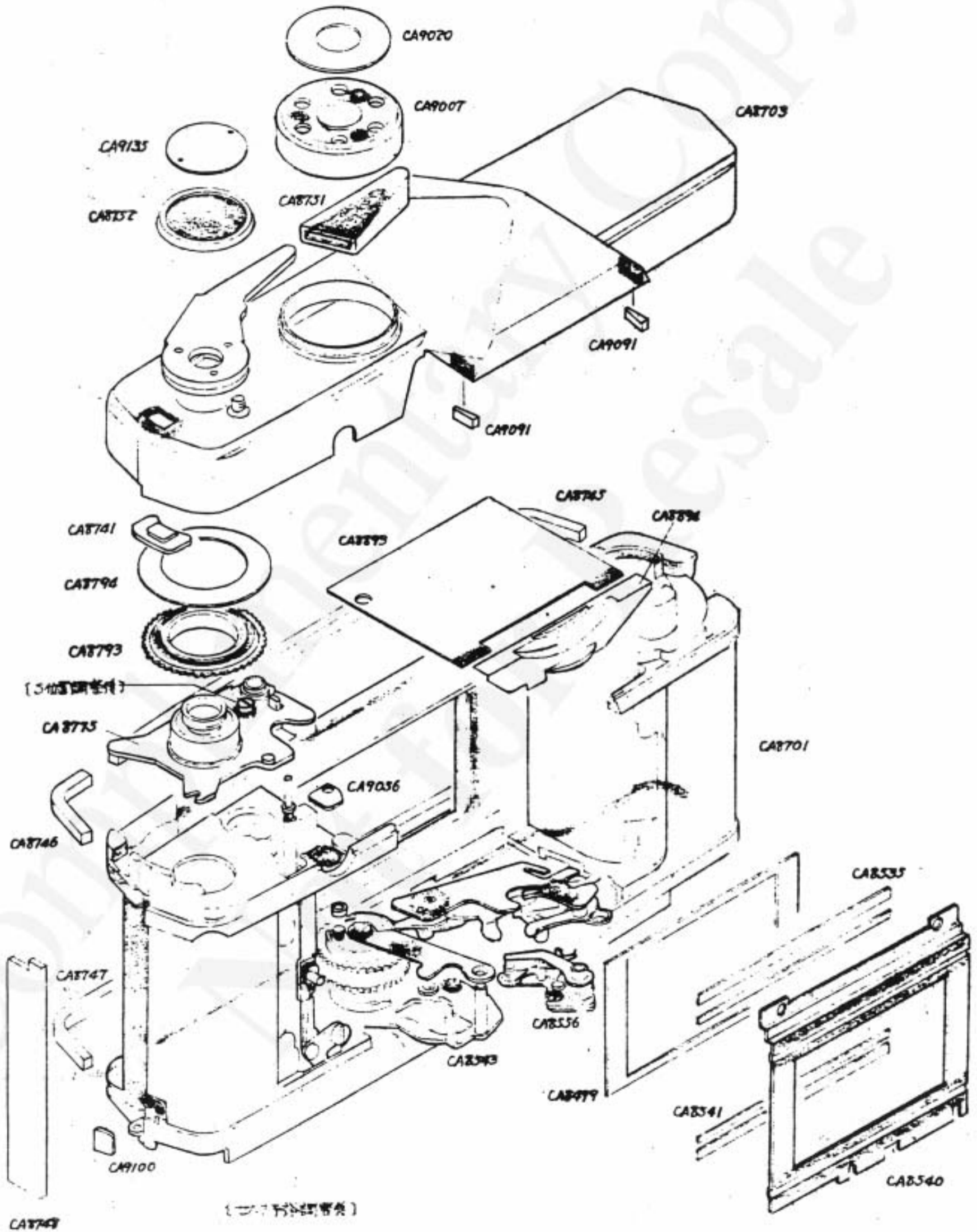
ARALDITE
CEMEDINE (Cement)

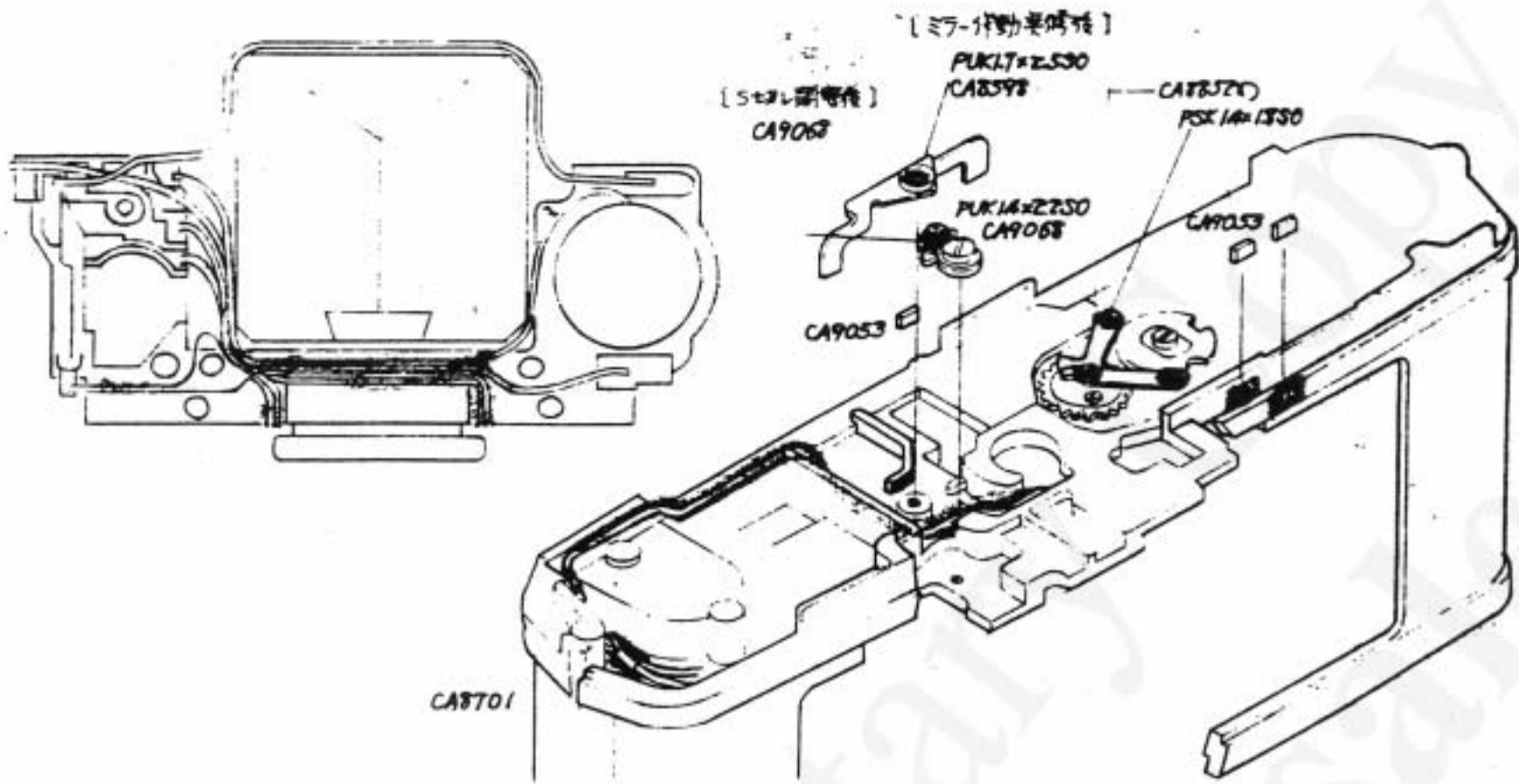


ALON ALPHA (Cement)

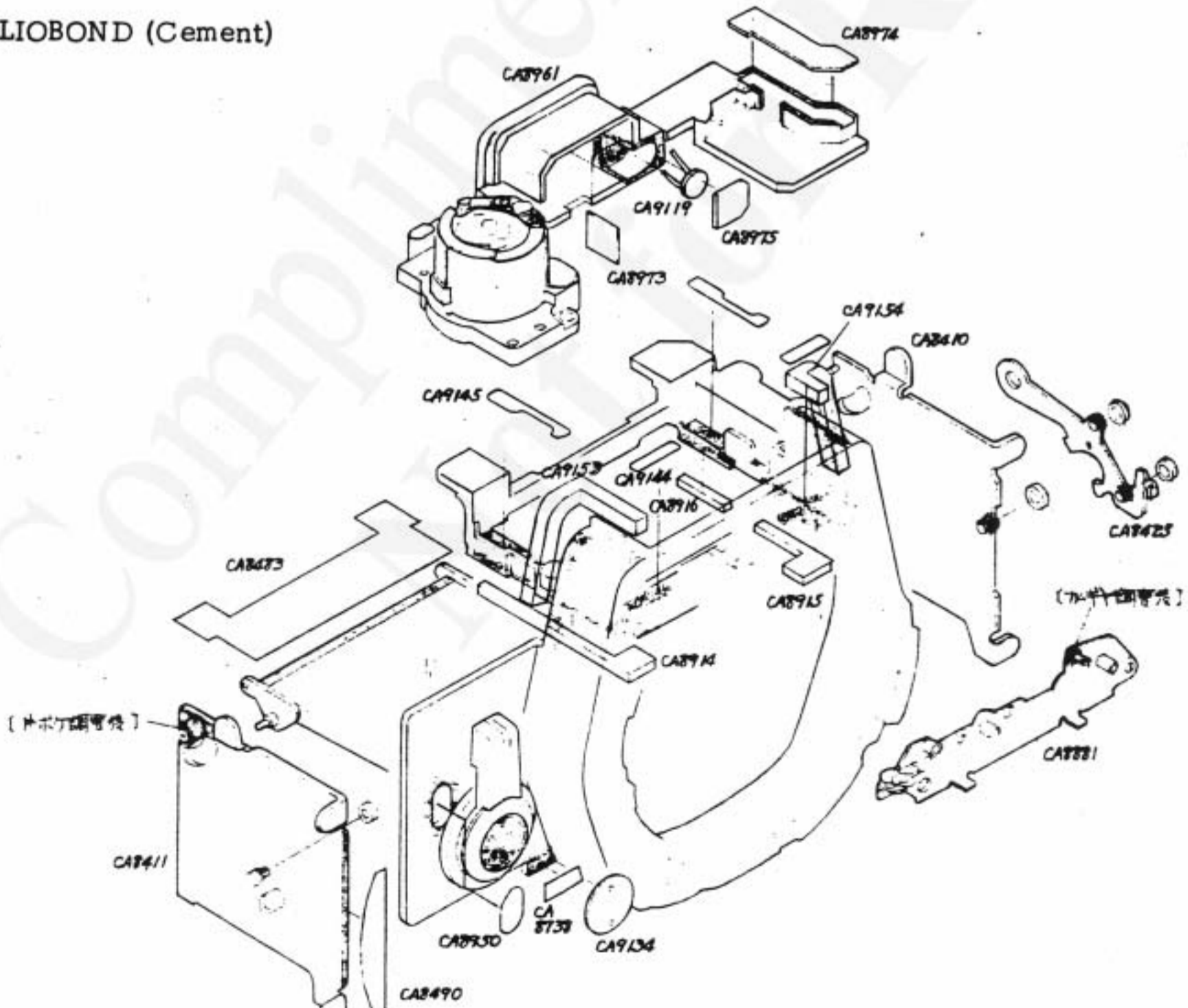


PLIOBOND (Cement)



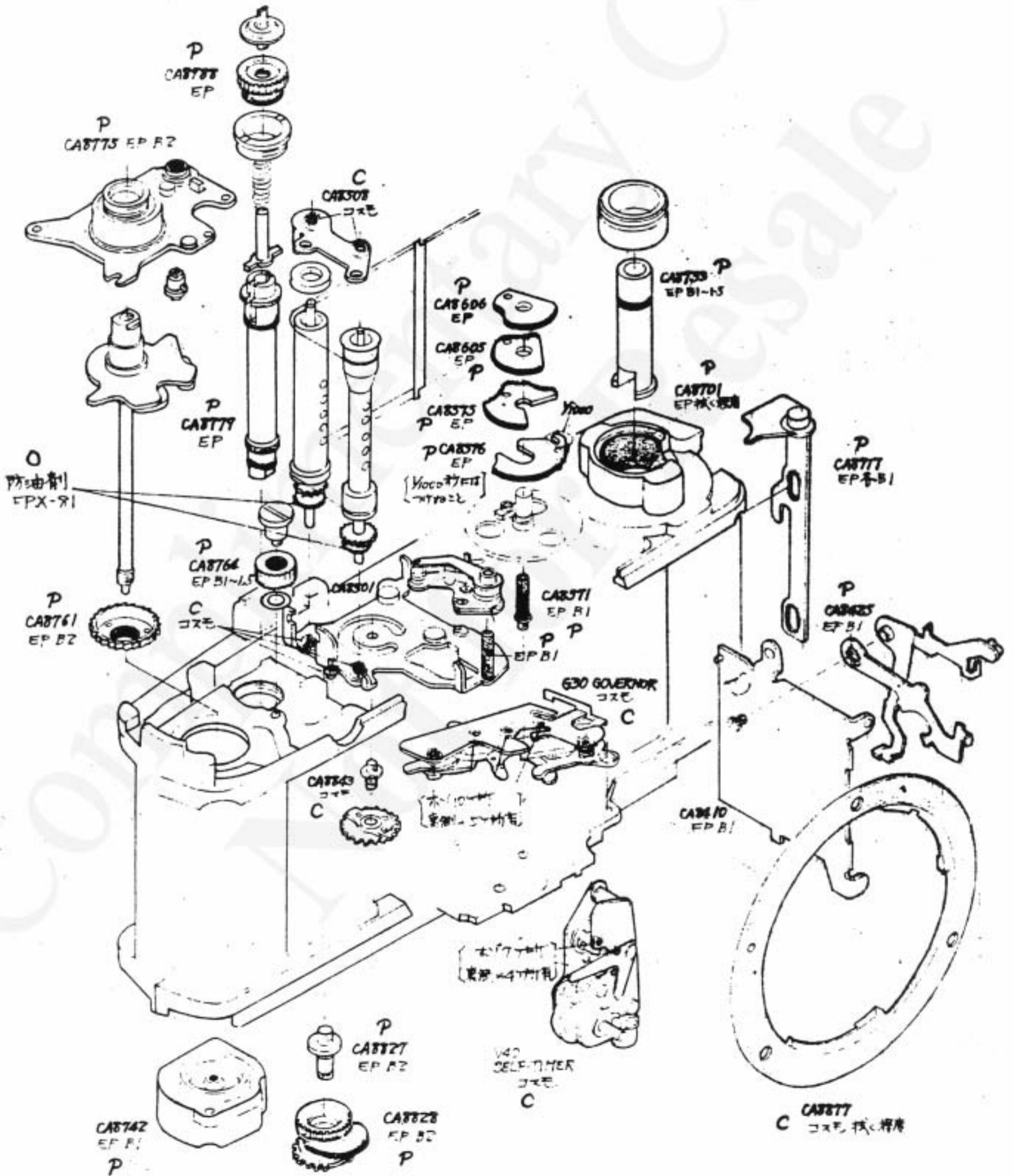


PLIOBOND (Cement)

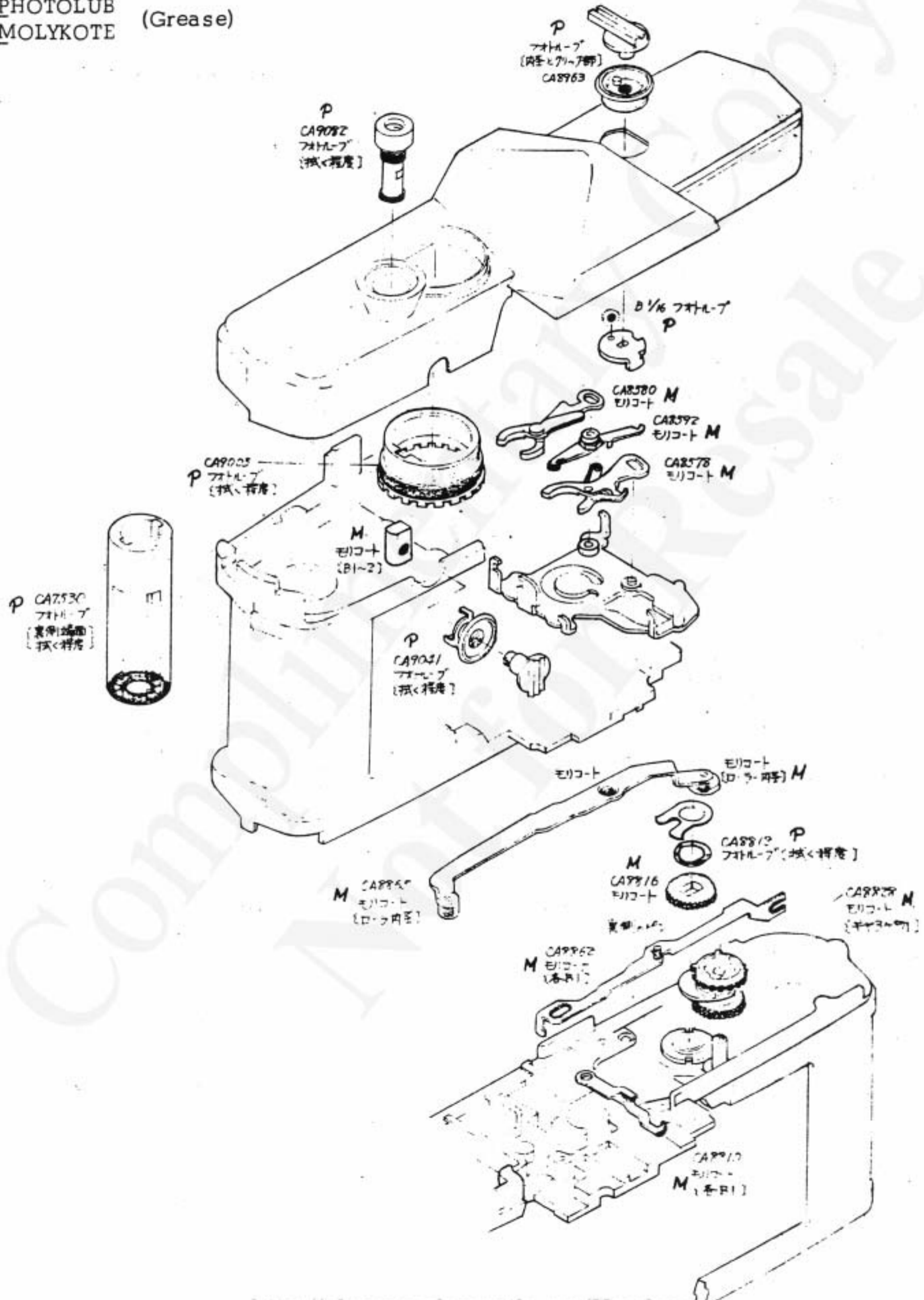


COSMORUBLIC (Oil)
PLASTILUBE (Grease)
OILPROOF FLUID

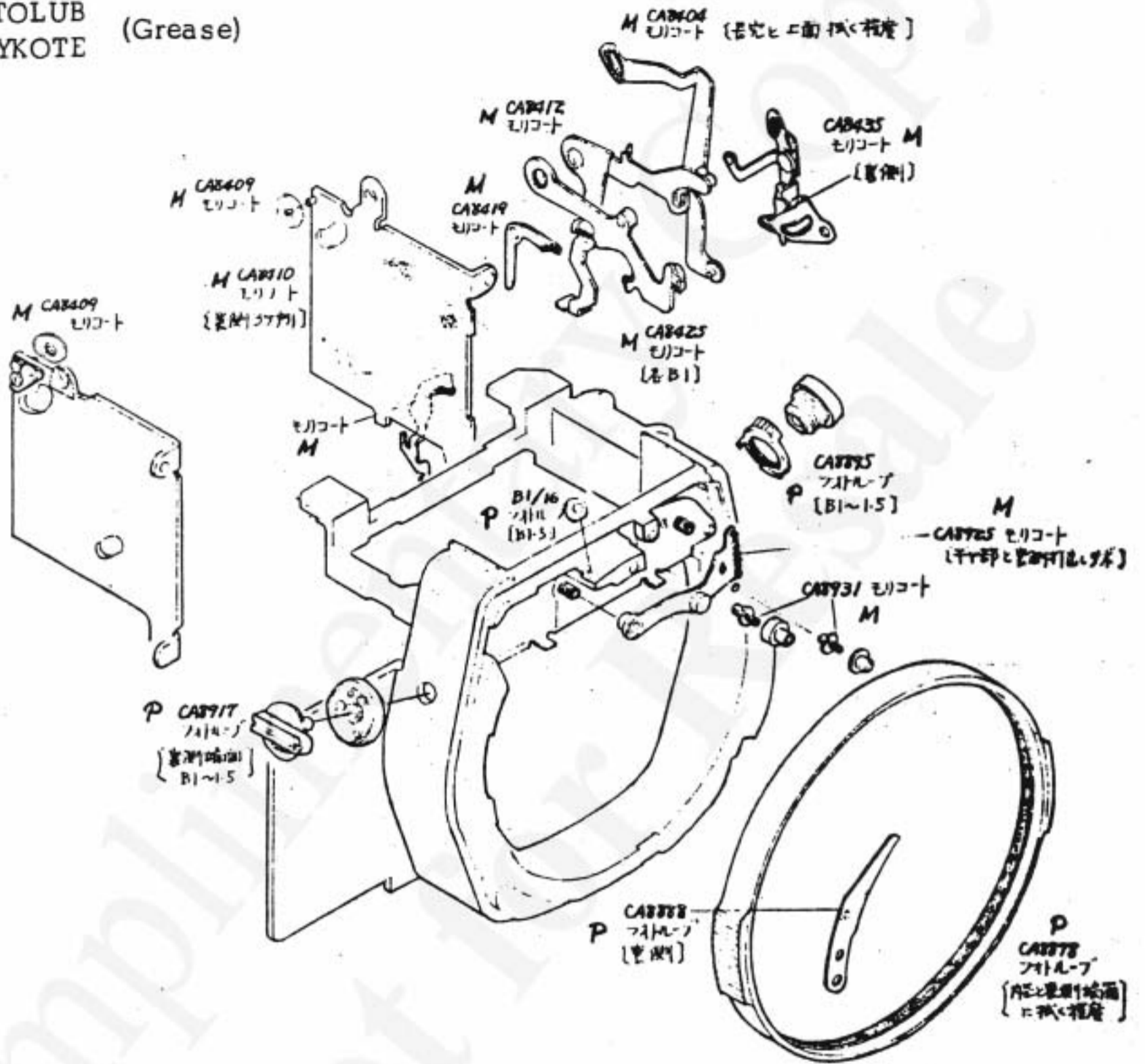
※) EP greases B1 and B2 are applied in the same amount.



PHOTOLUB
MOLYKOTE (Grease)



PHOTOLUB
MOLYKOTE (Grease)

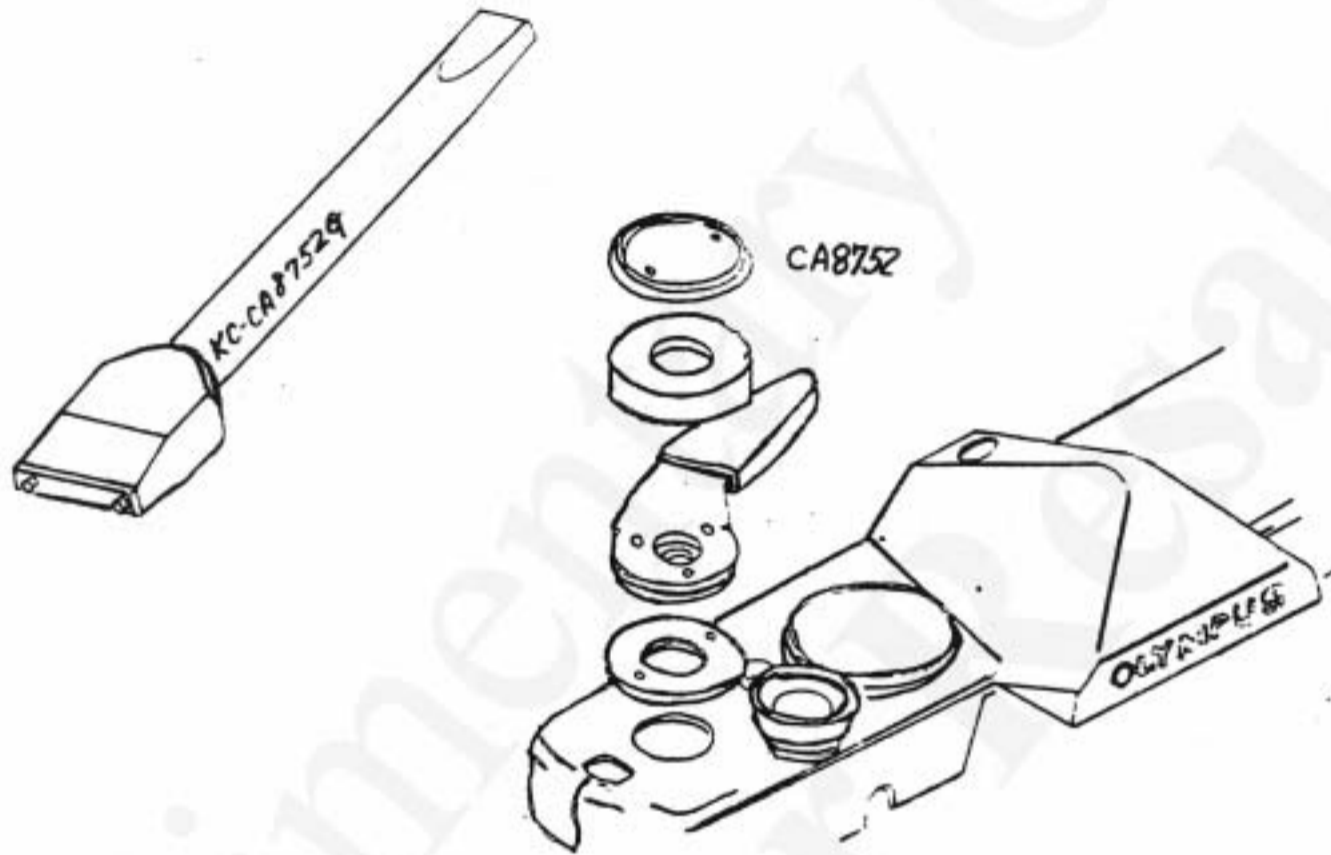




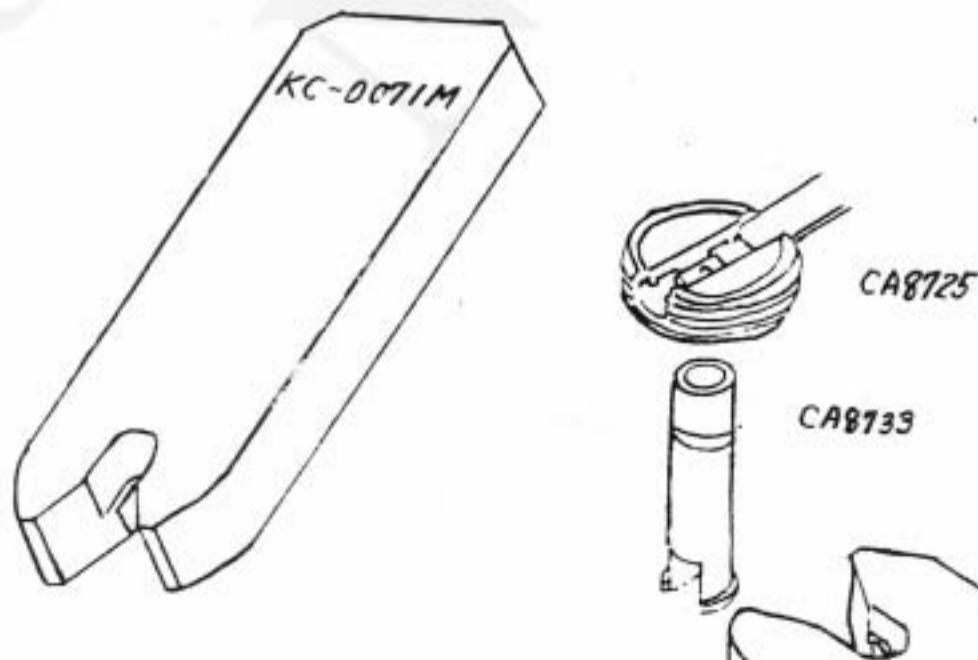
SPECIAL TOOLS

SPECIAL TOOLS

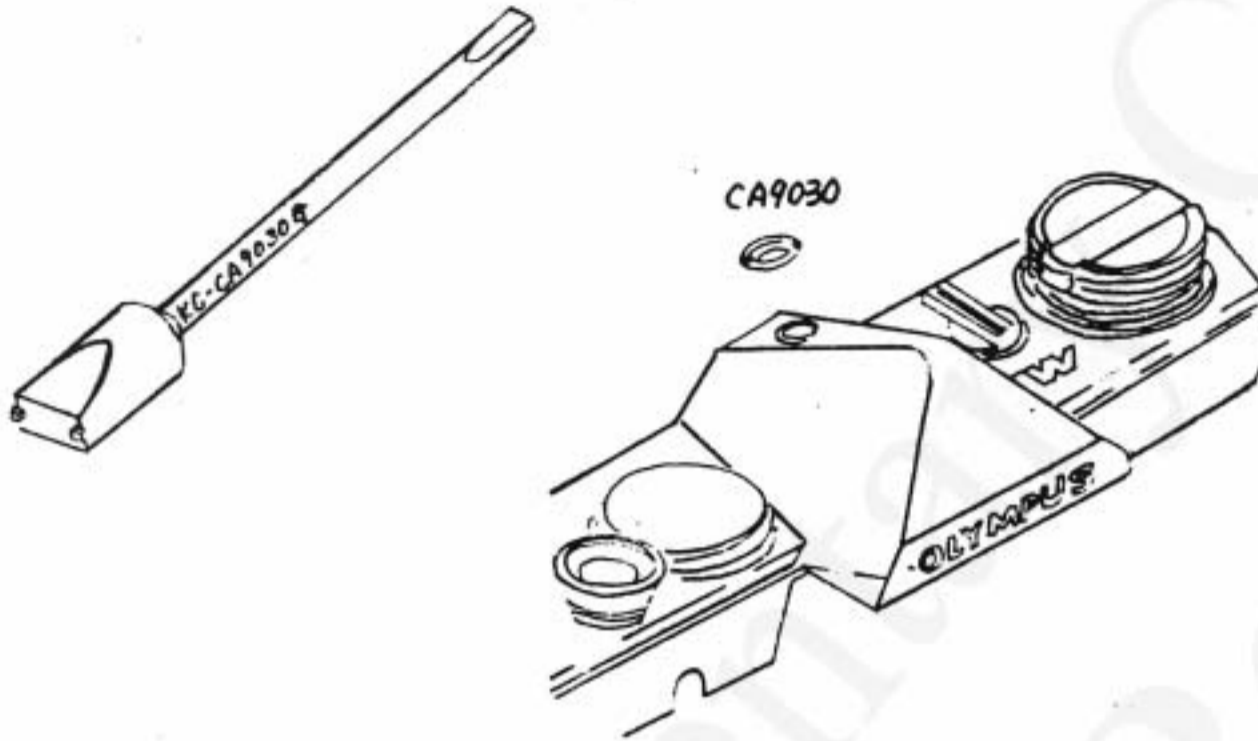
KC-CA8752D (Wrench) To be mounted onto Q-0009M (Diam.6mm, Holder) for use. To be used in dismantling CA8752 (Cap) and CA9135 (Plate).



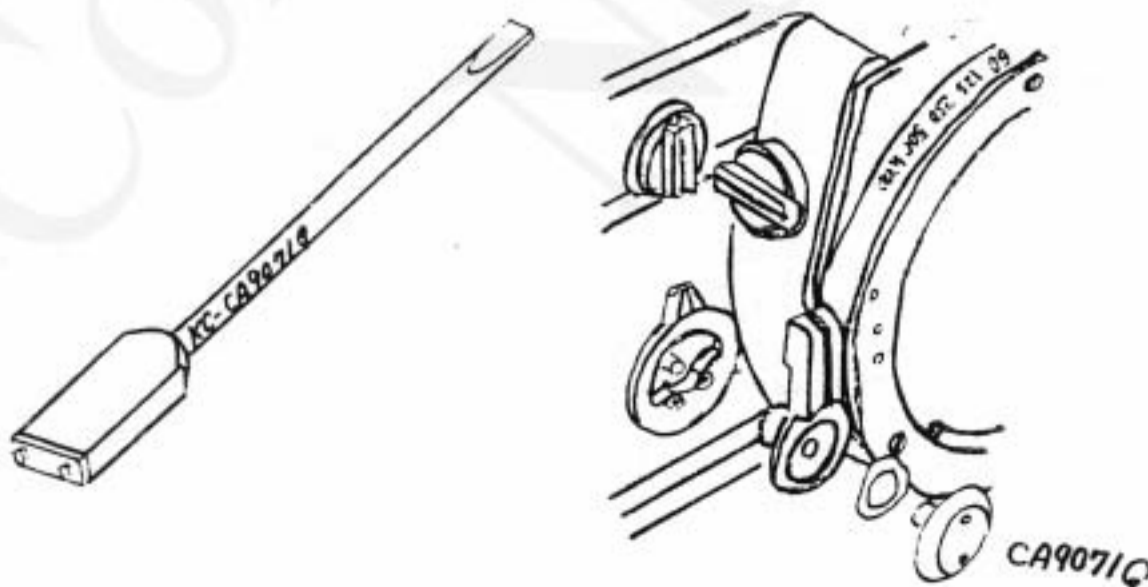
KC-0071M (Wrench) To be used in removing CA8733 (Shaft) and CA8725 (Knob). Pinch-holding the R. Shaft from outside, turn the R. Knob.



KC-CA9030G (Wrench) To be mounted onto Q-0008M (Diam. 3.2mm Holder) and to be used for mounting or removing CA9030 (Nut).



KC-CA9071G (Wrench) To be mounted onto Q-0008M (Diam. 3.2mm Holder) and used for mounting or dismounting CA9071 (Stopper).

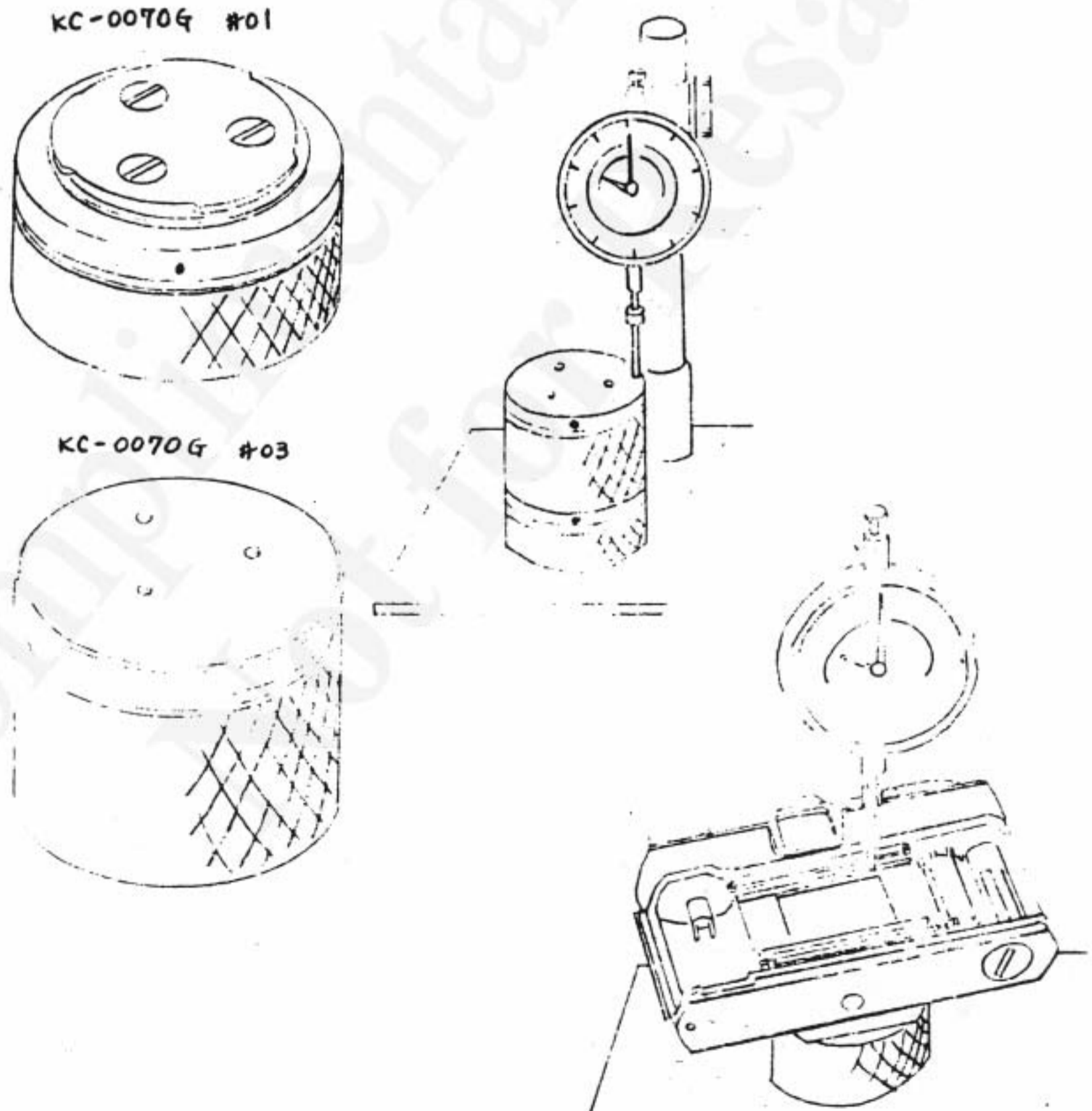


KC-0070G #01
(Mount Stage)

For measurement of flange-back 46.00 for OM-1, in the same manner as for Models FTL and FT.

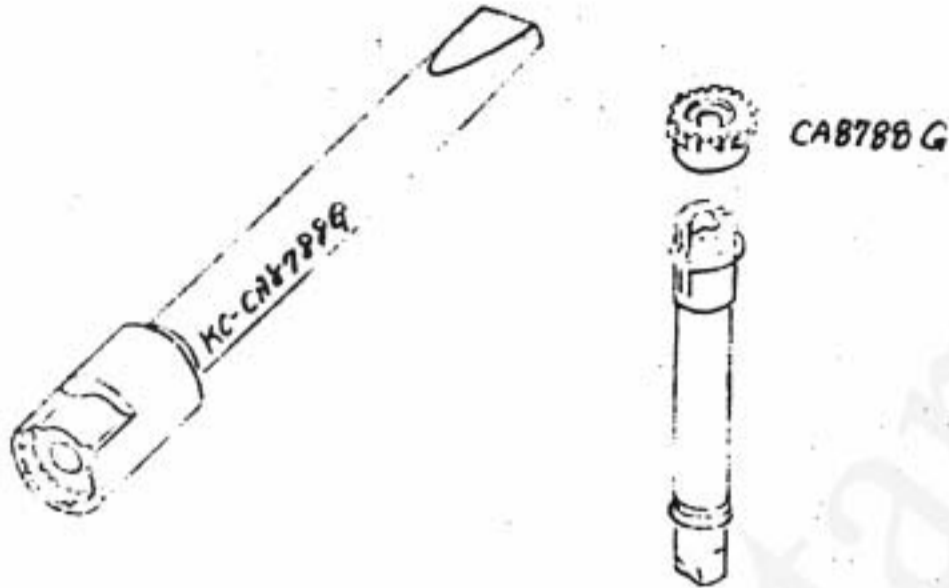
KC-0070G #03
(Measurement Gauge)

- (1) Place KC-0070G #3 on top of #1, and set the 0 (Zero) position.
- (2) Remove #3 and mount the camera body onto #1.
- (3) Measure the rail surface by the dial gauge. The discrepancy between the 0 (Zero) position should be within 0 ± 0.02 . (46.00 ± 0.02)



KC-CA8788G
(Wrench)

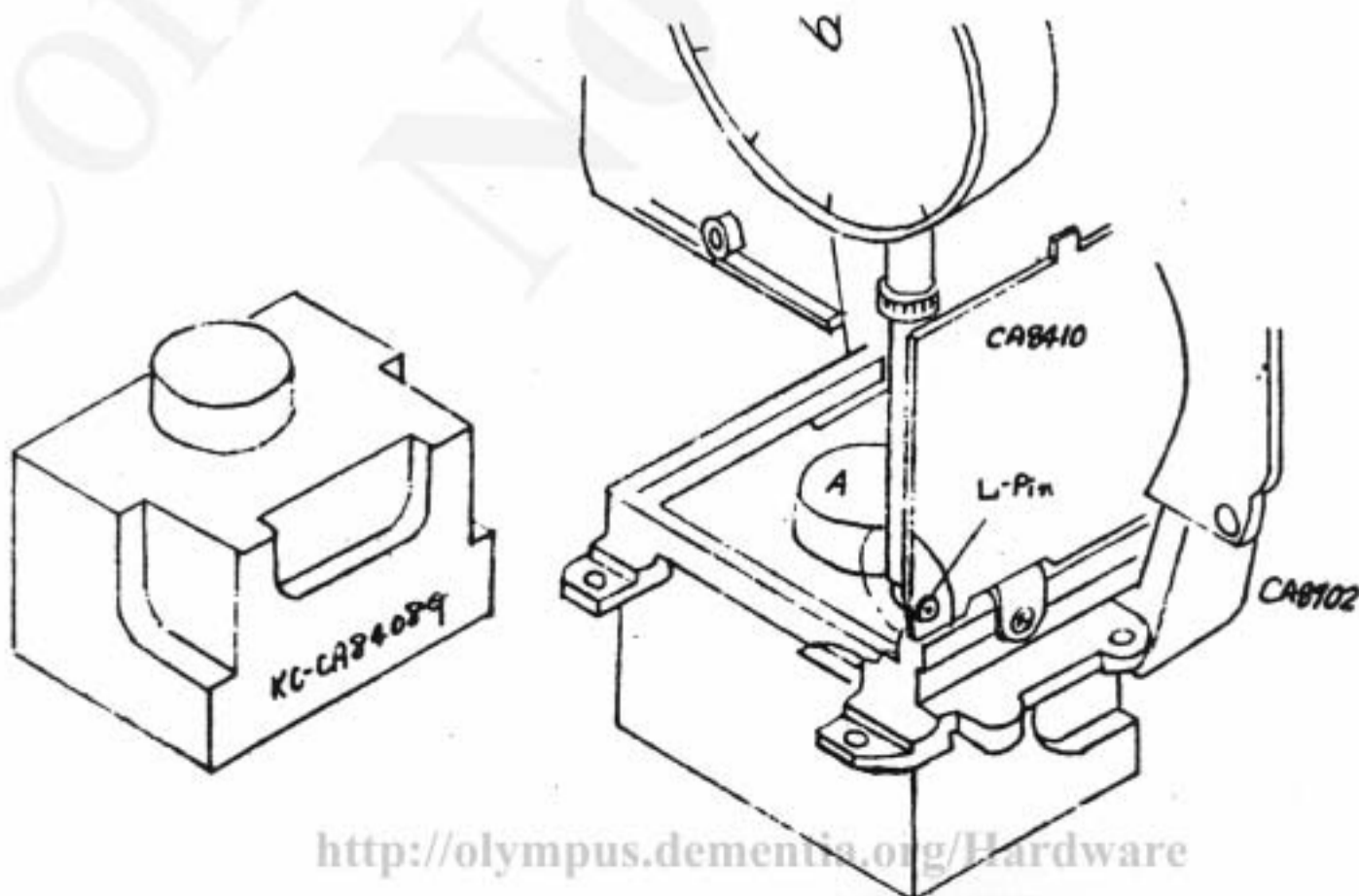
To be mounted onto Q-0009M (Diam. 6mm Holder) and used for mounting or dismounting CA8788 (Gear).



KC-CA8408G
(Positioning Tool)

Distance between the Fresnel surface of CA8702 (Plate) and the L pin, and its measurement.

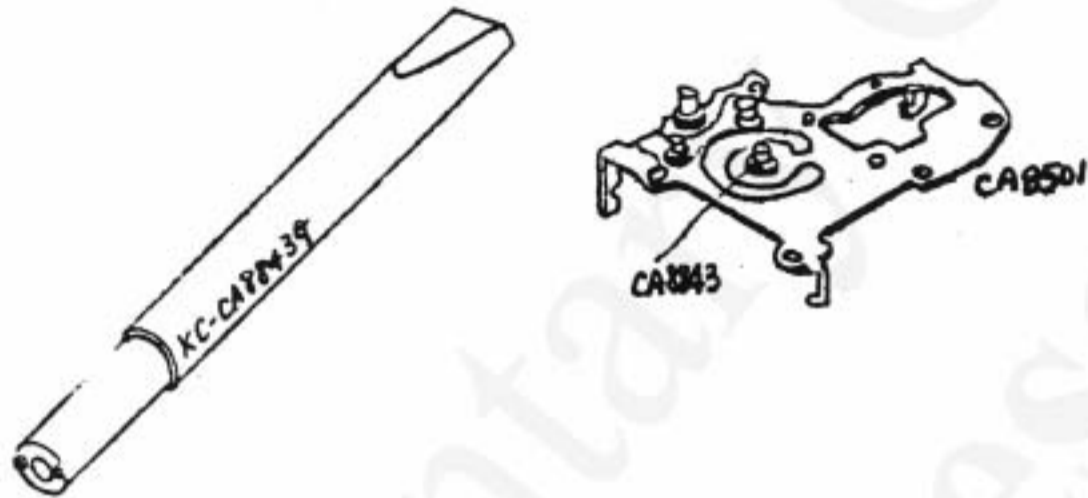
- (1) Place CA8702 upside down on the measuring stage, with its Fresnel surface pressed against the stage.
- (2) Set the A surface of the stage at the O position on the dial gauge. (Zero)
- (3) Slightly move the measuring stage, measure the height of the L pin and take the reading of the difference, which should be within 0 ± 0.05 mm. (5.53 ± 0.05)



KC-CA8843G
(Wrench)

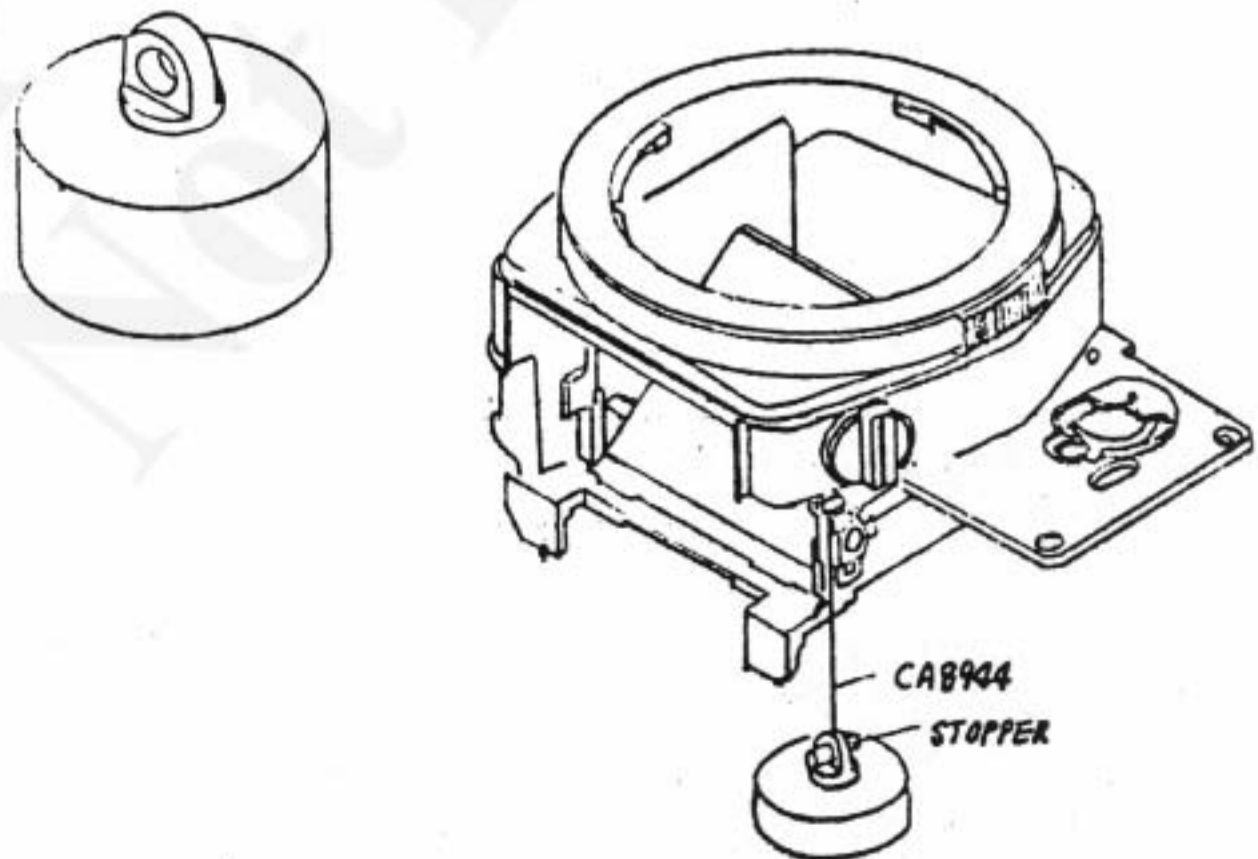
To be mounted onto Q-0009M (Holder) and used for mounting (or dismounting) CA8843 (Shaft) onto CA8501 (Plate).

Remarks: Do not touch both CA8843 and CA8501 with bare hands.

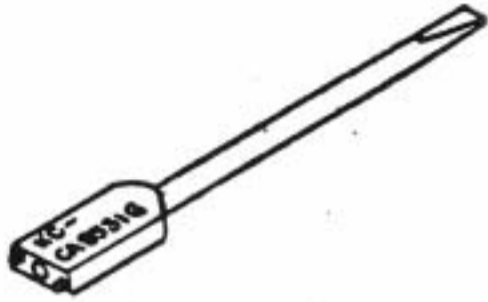


KC-0072G

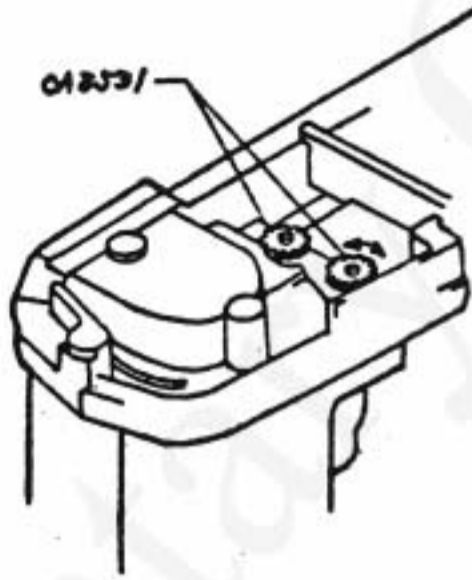
Poise for CA8944B To be mounted onto CA8944B(String) and used for inspection and adjustment of the CA8879 (Ring).
(String).



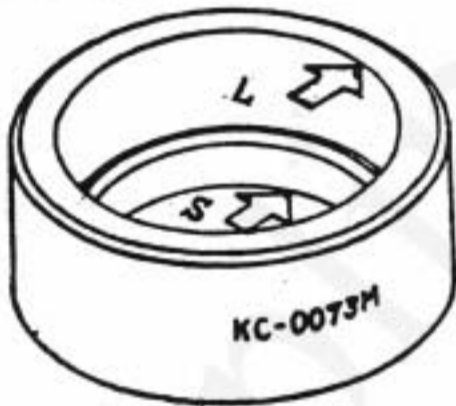
KC-CA8531 G Wrench



Use by inserting into Q-0008M
Adjust tension by turning Parts No.
CA8531.



KC-0073M Base

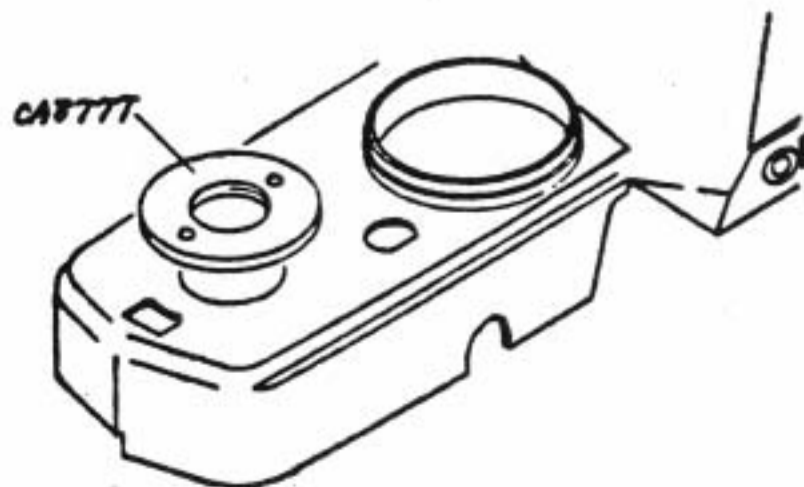


Use only to support lenses on
repairing. Larger dia. for OM
lenses and smaller for lenses
of PenFT & FTL.

KC-CA8777G Wrench

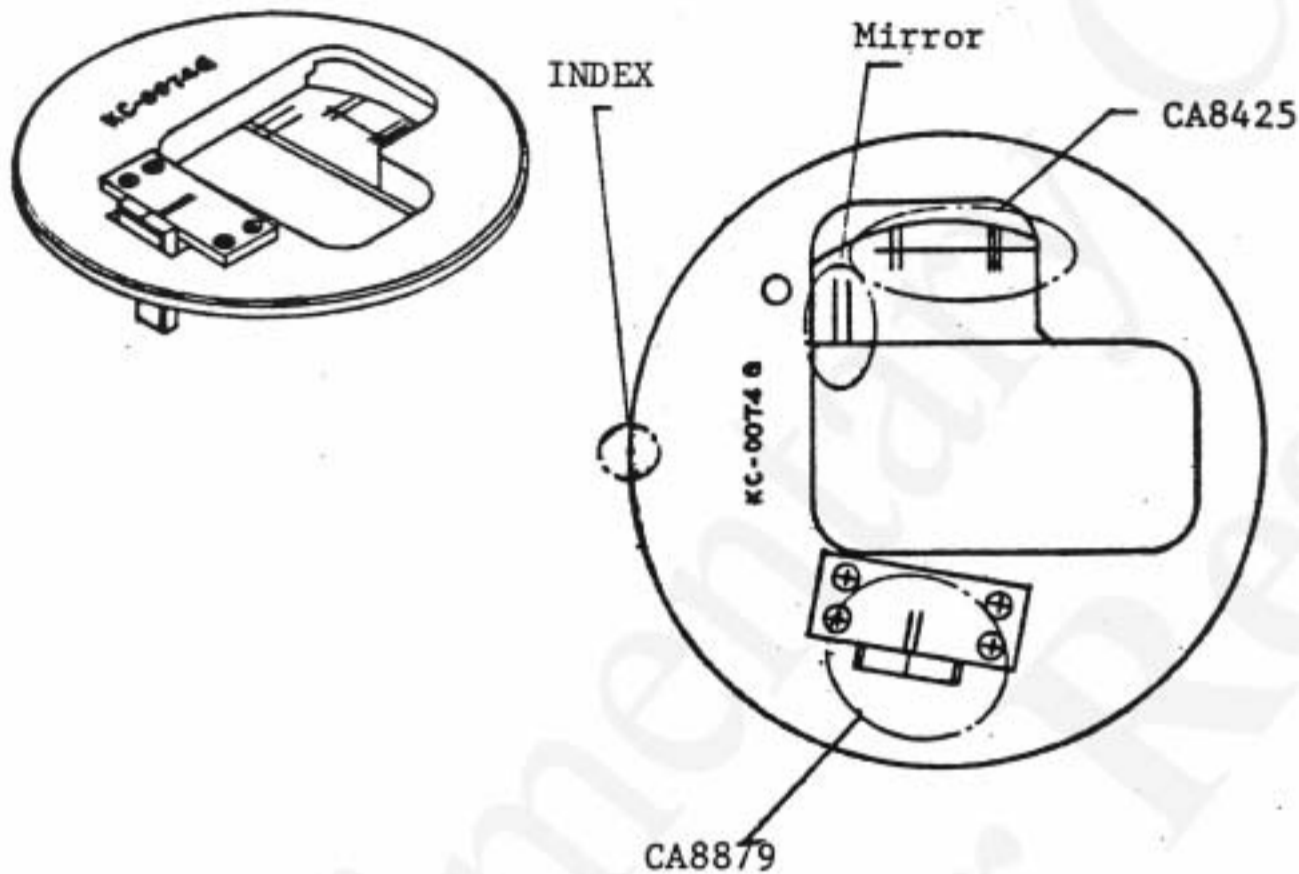


Use by inserting into Q-0009M.
Use for Parts No. CA8777.



KC-0074G Positioning tool

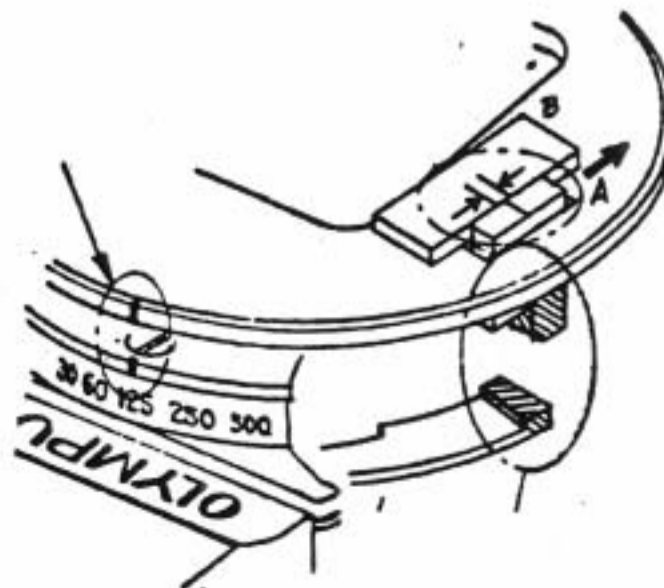
Use for Check of positions of connecting ring (CA8879), connecting lever (CA8425) and Mirror releasing.

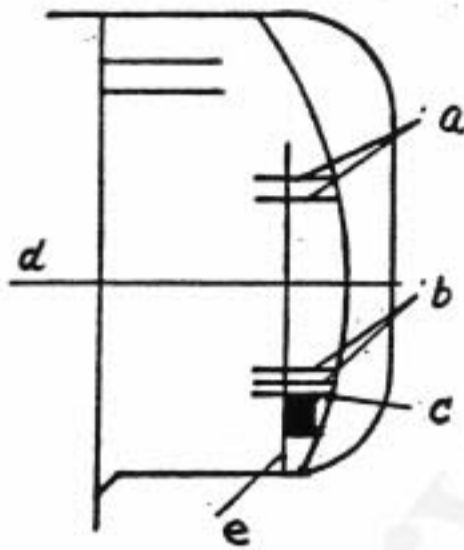


How to use; Mount KC-0074G and B mount by according index of KC-0074G outer circuit and that of B mount (Shutter speed setting position).

How to check; 1. Position of Connecting ring (CA8879)

Pull down A towards you and chek if scratched line of A returns between two scratched line of B.



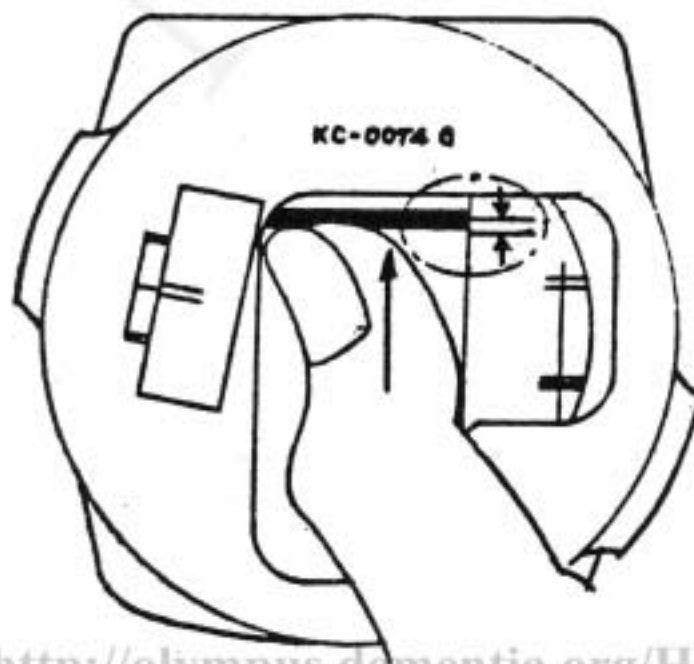


2. Position of Connecting lever (CA8425)

- a: Stop position of CA8425 should be in this range.
- b: After shutter charging, position of CA8425 should be this range.
- c: Before shutter charging, position of CA8425 should be this range.
- d: X direction of optical axis.
- e: Y direction (right & left) of CA8425 should be positioned around this vertical scratched line.

3. Position of Mirror releasing

- + Set shutter speed at 1/4 and charge.
- + Make mirror-up a little by turning mirror-up knob. Push down shutter release button with but at this time hold the mirror frame with your forefinger of right hand not to make shutter release.
- + Lifting up the mirror frame with forefinger, shutter should be released when the mirror frame is positioned in this range.

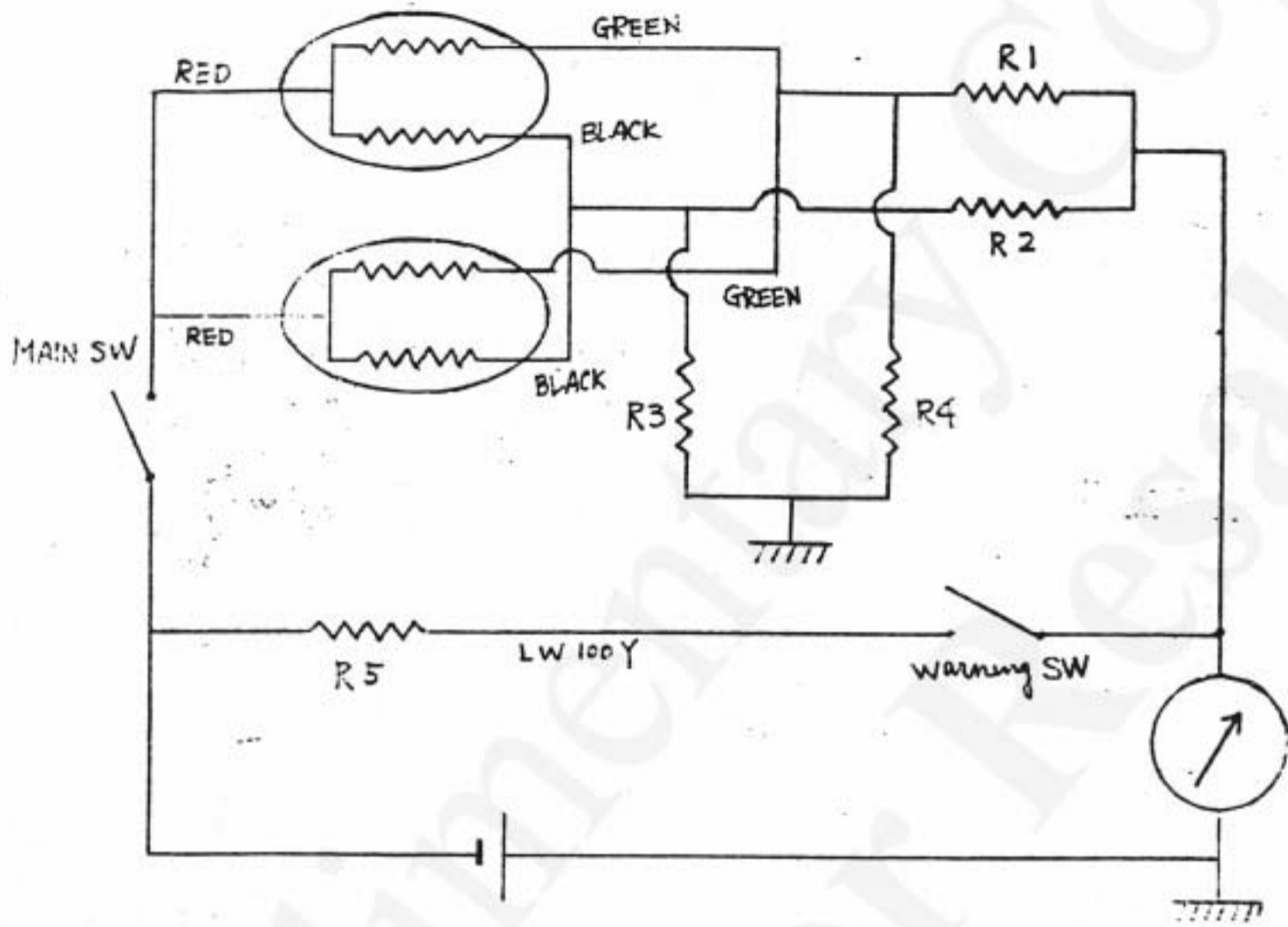




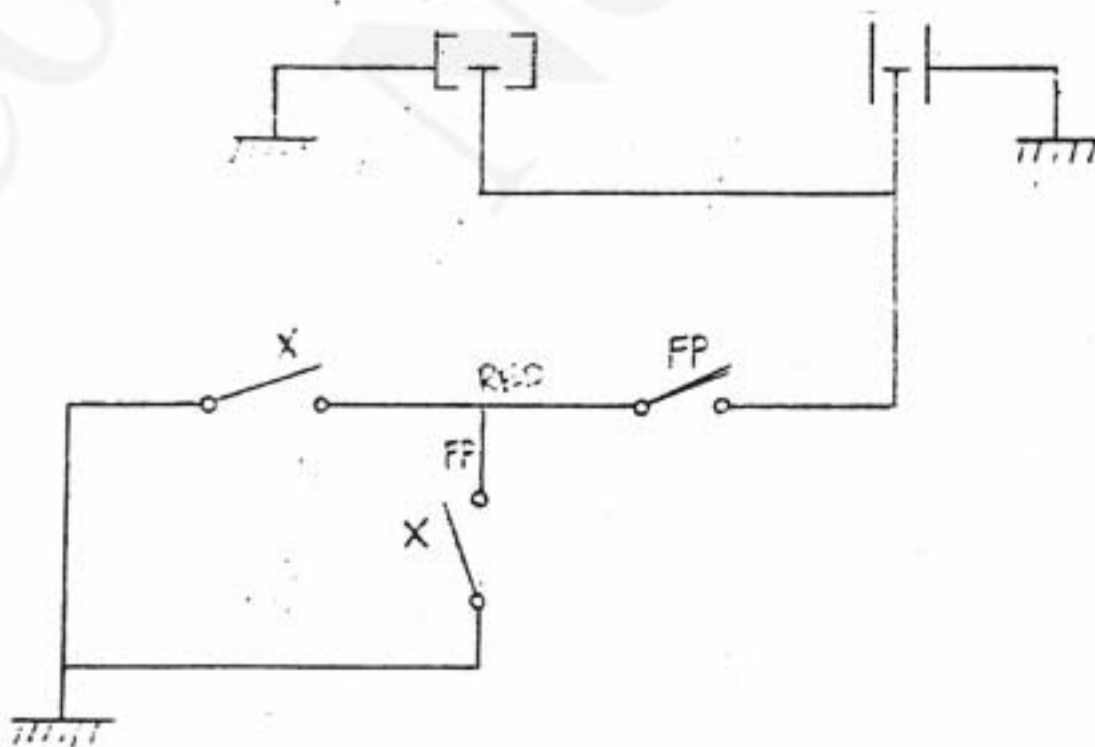
OTHERS

Complimentary Copy
Not for Resale

Exposure meter Circuit Diagram



Synchro contact point Circuit Diagram

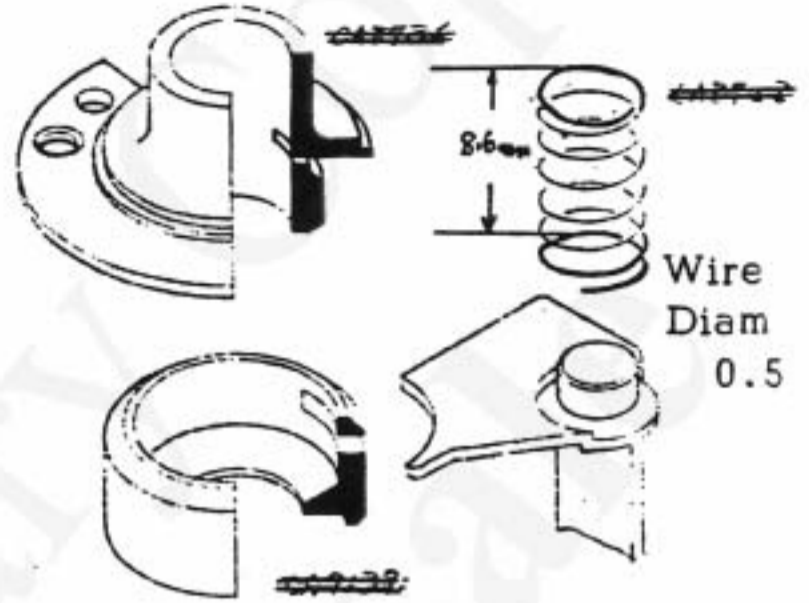
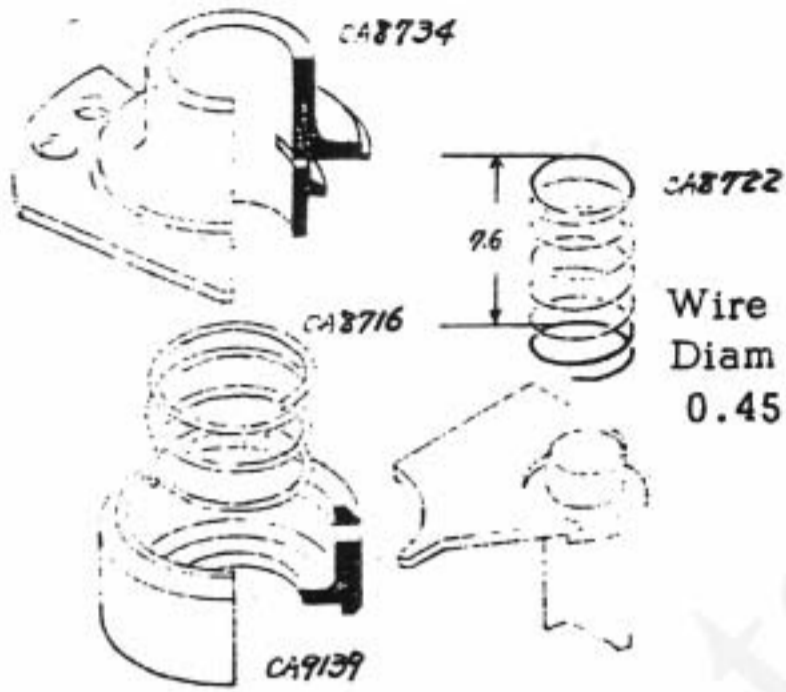


IMPROVED PARTS TABLE

Diag. A (New)

<1>

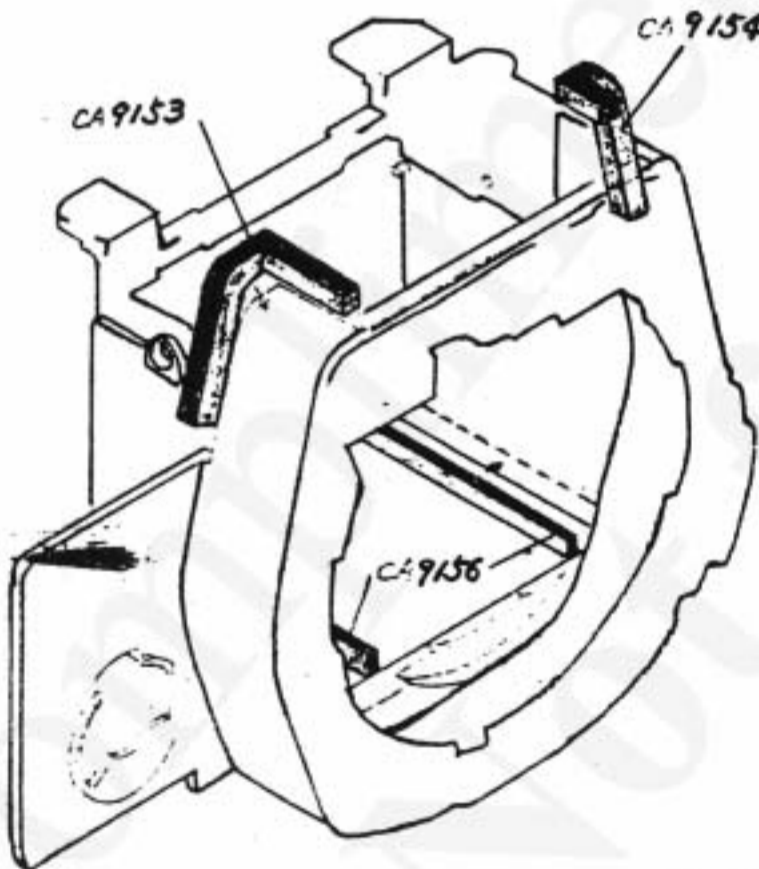
Diag. B (Old)



A

<2>

B



Three Parts CA9153, CA9154 & CA9156 (Shown left page) are added recently.

A

<3>

B

